

**SULZER**

Massblatt XFP 201G-CB2 Trockeninstallation

No: AN-M.22.607 - 02

Dimension sheet DRY-WELL Installation

Drawn: 05/08/10 D.Whelan

Dimensioni Installazione a secco

Issue Date: 09/05/2013

Hoja de dimensiones instalación en seco

Änderungen vorbehalten  
Technical changes reserved  
Con riserva di modifiche  
Con reserva de modificaciones  
Sous réserve de modification

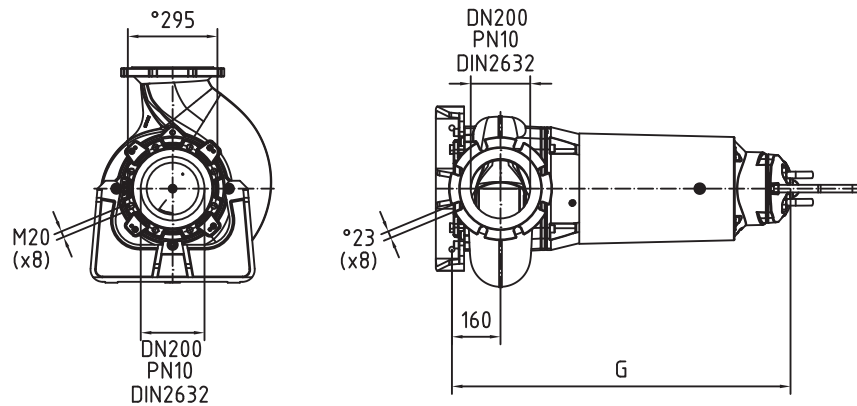
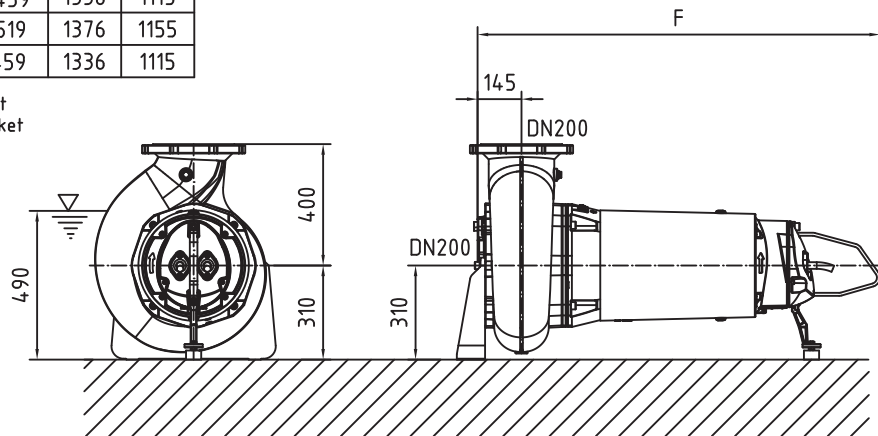
Plan d'encombrement Installation à sec

**50 Hz****S.I.**

Typ Type Tipo	Gewicht Weight Poids N.C.J. (kg)	Gewicht Weight Poids W.C.J. (kg)	F (mm)	G (mm)
PE 90/6	399	449	1336	1115
PE 110/6	399	449	1336	1115
PE 140/6	419	459	1336	1115

**60 Hz**

Typ Type Tipo	Gewicht Weight Poids N.C.J. (kg)	Gewicht Weight Poids W.C.J. (kg)	F (mm)	G (mm)
PE 130/6	393	449	1336	1115
PE 160/6	419	459	1336	1115
PE 200/6	463	519	1376	1155
PE 120/8	403	459	1336	1115

N.C.J. = No Cooling Jacket  
W.C.J. = With Cooling Jacket

Gewicht: Beinhaltet Pumpe ,horizontal Stützen und Kabel (50 Hz = 10 m; 60 Hz = 15 m)  
 Weight: includes pump, horizontal supports and cable (50 Hz = 10 m; 60 Hz = 15 m)  
 Peso: incluye bomba, soportes horizontales y cable (50 Hz = 10 m; 60 Hz = 15 m)  
 Peso: Incluye bomba, soporte horizontal y cable (50 Hz = 10 m; 60 Hz = 15 m)  
 Poids : incluant la pompe, les supports horizontaux et le cable (50 Hz = 10 m; 60 Hz = 15 m)

Guss-Allgemeintoleranzen nach DIN1680 - GTB16  
 General tolerances for castings in acc. to DIN1680-GTB16  
 Tolleranze generali delle fusioni secondo DIN1680-GTB16  
 Tolerancias generales para la fundicion seg. de DIN1680-GTB16  
 Tolérance générale de la fonderie selon DIN1680-GTB16

**SULZER**

Massblatt XFP 201G-CB2 Trockeninstallation

No: AN-M.22.607 - 02

Dimension sheet DRY-WELL Installation

Drawn: 05/08/10 D.Whelan

Dimensioni Installazione a secco

Issue Date: 09/05/2013

Hoja de dimensiones instalación en seco

Änderungen vorbehalten

Technical changes reserved

Con riserva di modifiche

Con reserva de modificaciones

Plan d'encombrement Installation à sec

Sous réserve de modification

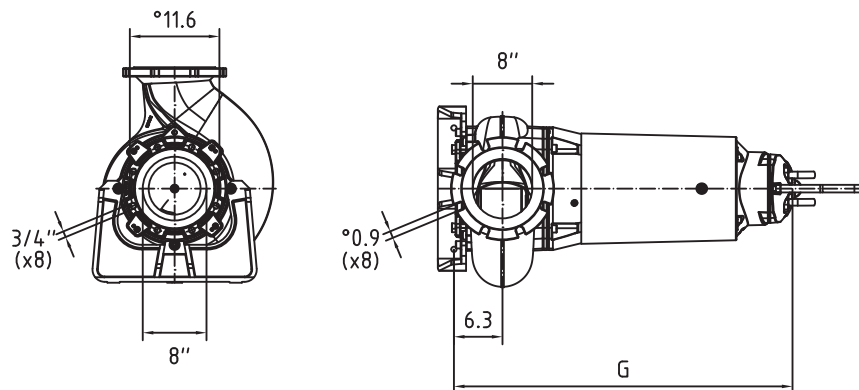
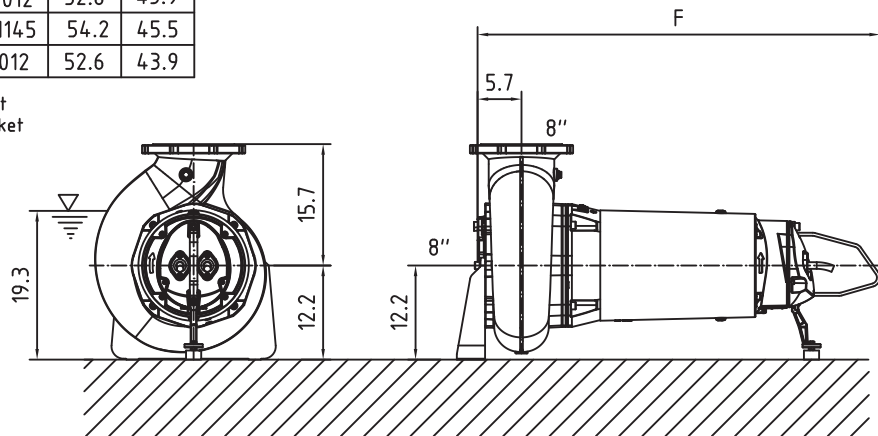
**50 Hz****U.S.**

Typ Type Tipo	Gewicht Weight Poids N.C.J. (lbs)	Gewicht Weight Poids W.C.J. (lbs)	F (")	G (")
PE 90/6	880	990	52.6	43.9
PE 110/6	880	990	52.6	43.9
PE 140/6	924	1012	52.6	43.9

**60 Hz**

Typ Type Tipo	Gewicht Weight Poids N.C.J. (lbs)	Gewicht Weight Poids W.C.J. (lbs)	F (")	G (")
PE 130/6	867	990	52.6	43.9
PE 160/6	924	1012	52.6	43.9
PE 200/6	1021	1145	54.2	45.5
PE 120/8	889	1012	52.6	43.9

N.C.J. = No Cooling Jacket  
W.C.J. = With Cooling Jacket



Gewicht: Beinhaltet Pumpe, horizontal Stützen und Kabel (50 Hz = 10 m; 60 Hz = 15 m)  
Weight: includes pump, horizontal supports and cable (50 Hz = 10 m; 60 Hz = 15 m)  
Peso: incluye bomba, soportes horizontales y cable (50 Hz = 10 m; 60 Hz = 15 m)  
Peso: Incluye bomba, soporte horizontal y cable (50 Hz = 10 m; 60 Hz = 15 m)  
Poids : incluant la pompe, les supports horizontaux et le cable (50 Hz = 10 m; 60 Hz = 15 m)

Guss-Allgemeintoleranzen nach DIN1680 - GTB16  
General tolerances for castings in acc. to DIN1680-GTB16  
Tolleranze generali delle fusioni secondo DIN1680-GTB16  
Tolerancias generales para la fundicion seg. de DIN1680-GTB16  
Tolérance générale de la fonderie selon DIN1680-GTB16